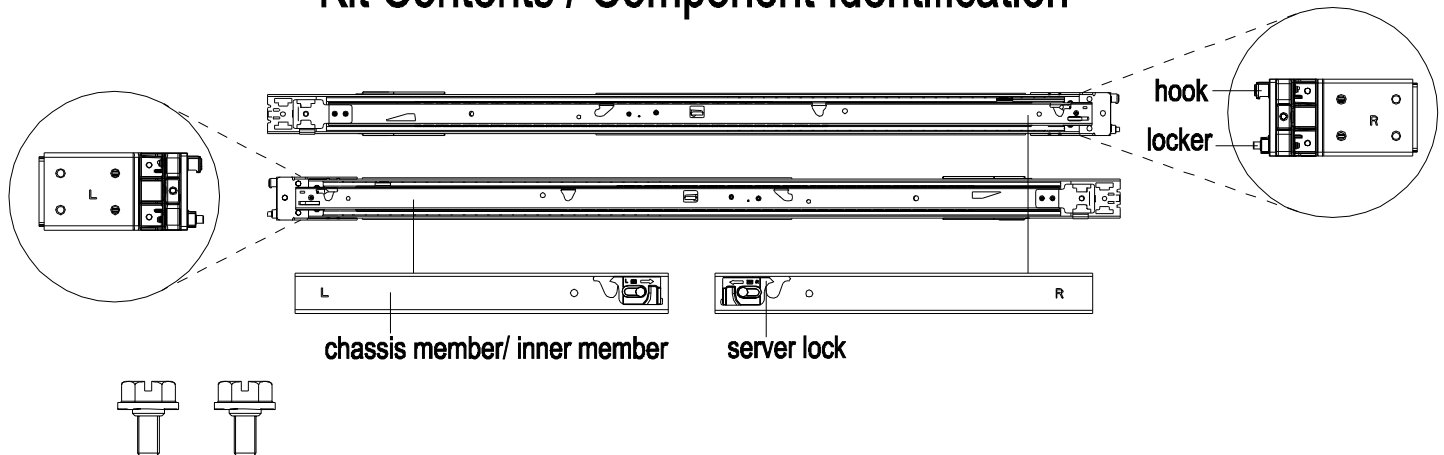


1U Rail Kit Installation Guide

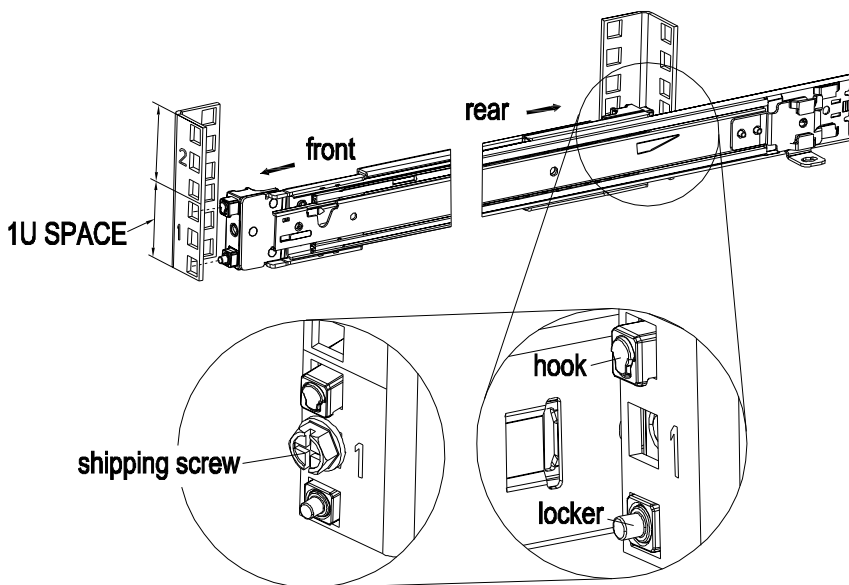
Kit Contents / Component Identification



1. Left (L) and Right (R) Rail Assemblies
2. (2) 10-32 Shipping Lock Screws

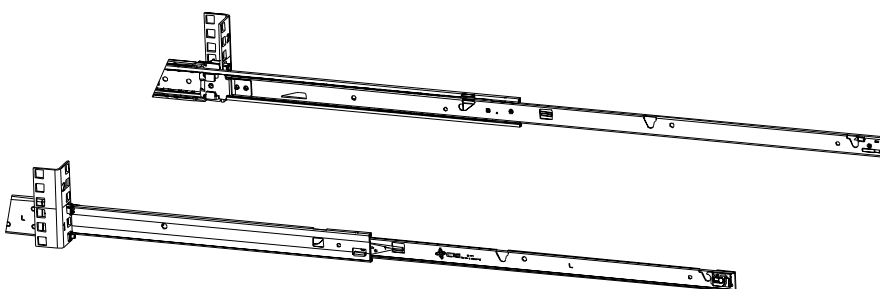
CAUTION: The maximum supported system weight for this rail kit is 18 KG (39.8 LBS). Exceeding the maximum weight limit or misalignment of the rails in the rack may cause the rails to fail. Use of a mechanical assist to install and align the server into the rails is highly recommended.

Rail Installation



1. Identify the Right (R) and Left (L) Rail Assemblies
2. Extend each rail assembly to expose the stamped 'R' and 'L' identifiers
3. Install Left rail assembly as shown. Note to use mounting holes within the same 1U space on both front and rear rack pillars.
4. The rail is securely installed when the Hook and Locker extend out of the mounting hole, are fully seated, and locked into place
5. Repeat steps 2 - 3 for the Right rail assembly
6. When transporting the rack with systems pre-installed, the 10-32 shipping screws must be installed to the center hole of each rear rail bracket to prevent possible rail mounting failure.

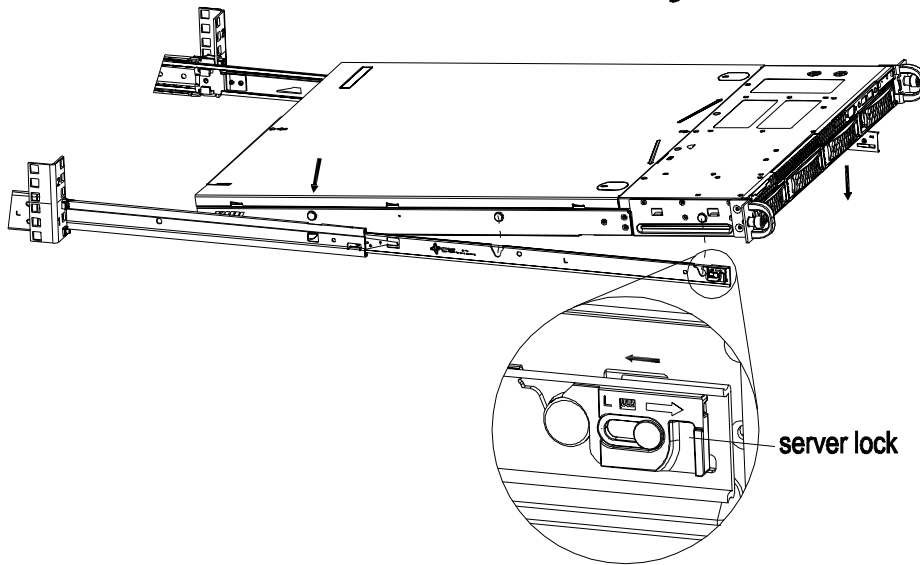
Server System Installation



1. Fully extend the rails until they lock in place.

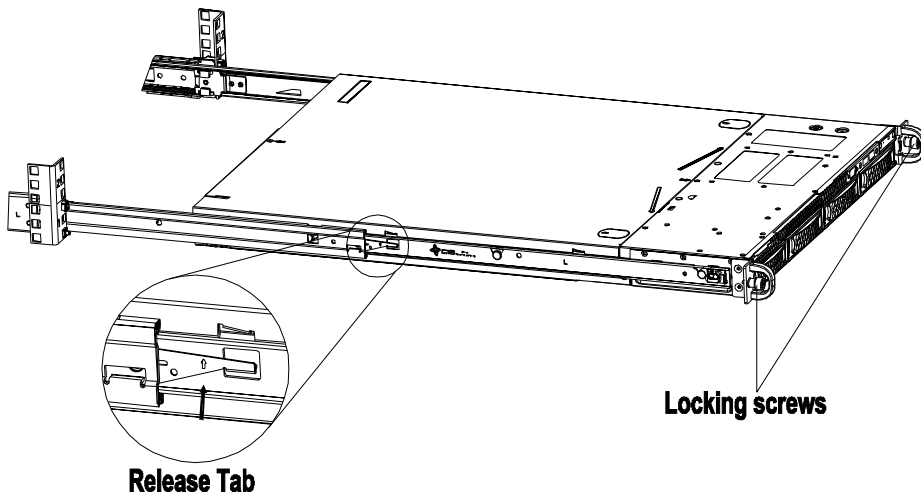
1U Rail Kit Installation Guide

Server System Installation



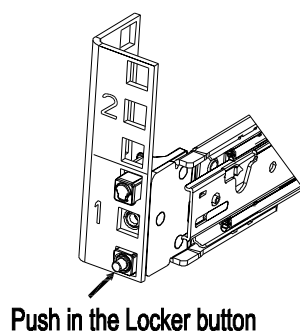
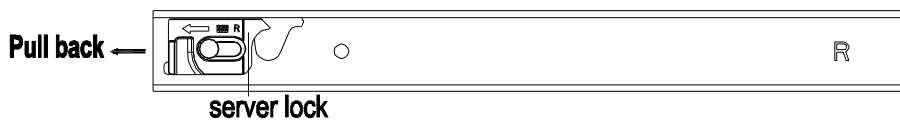
2. Align and insert rear mounting posts of the server into rear mounting slots of both rails
3. Carefully rotate server down until the remaining two server mounting posts on each side of the chassis install into the mounting slots of each rail
4. Verify that the Server Lock is fully engaged and the system is fully seated into each rail.

Install System into Rack



1. Lift up on the Release Tab of both rails
2. Push the system as far as possible into the rack
3. Use the fixed locking screws located on the system rack handles to secure the system to the rack

Removing System from Rails



1. If the system is secured to the rack, loosen the system handle locking screws
2. Fully extend the system from the rack
3. Pull back the Blue Server Lock located on the outer edge of each rail and rotate the front edge of system up from the rails.
4. Pull system forward, and lift system from the rails

Rail Removal:

1. Remove server system from rails
2. Push in the Locker button on the front rail bracket
3. Disengage rail bracket hook from mounting hole by carefully lifting up and pulling out the rail bracket from the rack pillar
4. Repeat steps 2 and 3 for rear rail bracket while holding rails.